



**TECHNICAL DATA / FEATURES**

- dimensions:  $\phi 161 \times 94$
- source of light: H3
- maximum power: 70W, 55W
- nominal voltage: 12V-24V DC, 12V DC
- optics: standard
- light distribution angle:  $34^\circ$
- IP rating: IP56
- housing's material: plastic
- housing's colour: black
- lens' material: glass, plastic
- built-in connectors: -
- other: handle  
switch (option)  
PC lens (option)



**ADDITIONAL INFORMATION**

Work lamps are used to illuminate working space near vehicles, tractors, slow-moving machines and any other places where indicated voltage is available.

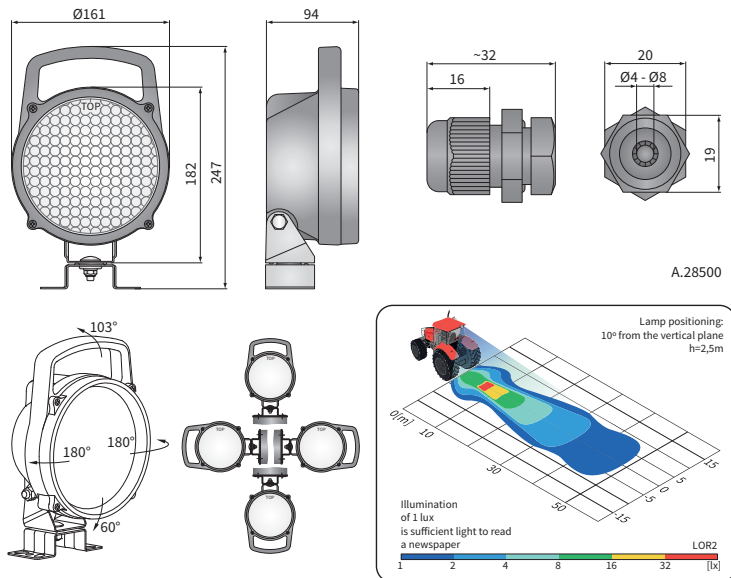
Mounting: as a freestanding on body panels. They can be installed in any position (standing, hanging, on side).

It is possible to install needed connectors on wire (on request).

Do not use over 55W bulbs if the lamp is equipped with polycarbonate lens.

Replacement parts:  
hermetic grommet - cat. No. A.28500

**DIMENSIONS**



Cat. number	Lens material		Accessories	bulb H3 12V	bulb H3 24V	omega bracket	switch	hermetic grommet	cable 0,15 m	cable 0,5 m	Connectors	AMP Faston 250	Deutsch DT	AMP SuperSeal 1,5	Packaging / pc	carton box
	glass	plastic														
LOR2.25138	✓					✓										1
LOR2.39238	✓					✓		✓								1
<b>LOR2.09338</b>	✓					✓	✓									1
LOR2.09339	✓			✓		✓	✓		✓							1
LOR2.09336		✓				✓	✓									1
LOR2.09341	✓			✓		✓	✓			✓		✓				1
LOR2.09342	✓			✓		✓	✓			✓		✓				1