



TECHNICAL DATA / FEATURES

- dimensions: φ150/142x86
- light functions: passing, driving, position
- function markings: C/R, A, HC/R
- traffic: right-hand
- reference mark: 7.5, 12.5
- source of light: R2, T4W, H4
- maximum power: 55/50W, 4W, 75/70W
- nominal voltage: 12V-24V DC
- optics: standard
- IP rating: -
- housing's material: metal
- lens' material: glass
- built-in connectors: -
- other (optional): metal frame



ADDITIONAL INFORMATION

Designed as replacement headlamp for Ursus headlight; series 0217, 0219.

Useful parts while installing:

- main bulb gasket - cat. No. A.05820
- position light bulb holder - cat. No. A.05921
- main bulb mounting block - cat. No. A.07128

Dedicated application:

A - tractors:

- Ursus: C-300, C-4000
- Zetor: 2011, 3011, 3511, 4011, 6711
- Pronar Zubron 2032A

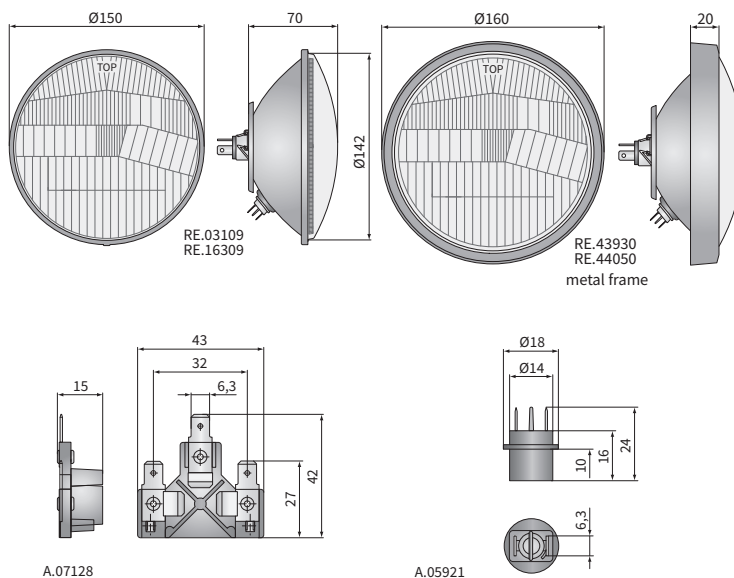
A - electric vehicle Melex 252

- Ursus type headlights,
- WSK motorcycles

B - for headlamps series 0217, 0219 in metal housing

- Ursus type

DIMENSIONS



Cat. number	Homologation code	Light functions			Type	Reference mark		Accessories	metal frame	Mounting method	Application			Packaging / pc	carton box
		passing	driving	position		R2	H4				7,5	12,5	side - right		
RE.03109	032	✓	✓	✓	✓		✓						A	1	
RE.16309	212	✓	✓	✓		✓	✓						A	1	
RE.44040	032	✓	✓	✓	✓		✓	✓		✓			B	1	
RE.44030	032	✓	✓	✓	✓		✓	✓			✓		B	1	
RE.44050	032	✓	✓	✓	✓		✓	✓			✓		B	1	
RE.43932	212	✓	✓	✓		✓	✓	✓		✓			B	1	
RE.43931	212	✓	✓	✓		✓	✓	✓			✓		B	1	
RE.43930	212	✓	✓	✓	✓		✓	✓			✓		B	1	