



TECHNICAL DATA / FEATURES

- dimensions: ϕ 177/169x96
- light functions: passing, driving, position
- function markings: HC/R, A
- traffic: right-hand
- reference mark: 20
- source of light: H4, W5W
- maximum power: 75/70W, 5W
- nominal voltage: 12V-24V DC
- optics: FF
- IP rating: IP54
- housing's material: plastic
- lens' material: glass
- built-in connectors: -
- other (optional): hermetic main bulb holder



ADDITIONAL INFORMATION

To be mounted in factory designed locations or in the front bumper recesses.

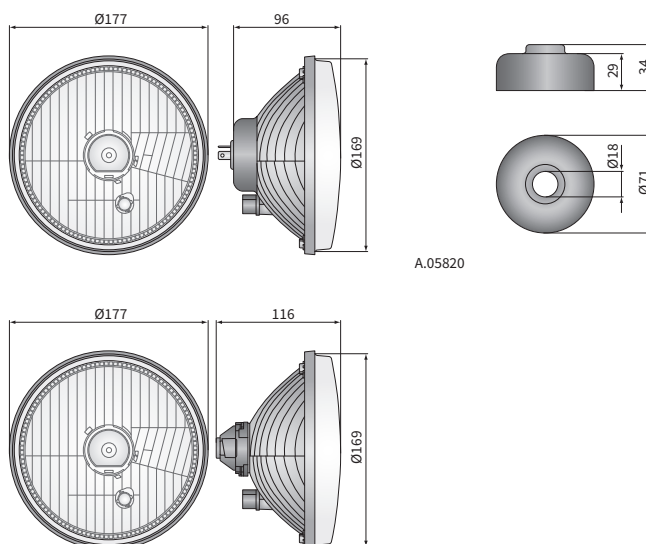
Useful parts while installing:

- main bulb gasket - cat. No. A.05820
- hermetic main bulb holder - cat. No. A.26925
- hermetic position bulb holder - cat. No. A.26910

Dedicated application:

- A - Ikarus: 180, 190, 211, 260, 263, 266, 280, 284,
- MZ: 150, 250, 251 motorcycles,
- Kamaz: 4310, 4326, 5320, 53208, 53212, 53213, 5410, 54112, 55102, 55105, 5511, 55111, 56212,
- Robur: 2002A, 2500, 2501, 3000, 3001, 3002, 1800A, 1801A, 2002A, 2500, 2501, 3000, 3001, 3002,
- Volga: GAZ-24-01, GAZ-24-02, GAZ-24-10, GAZ-24-12,
- Trabant: 1.1, P50, P600, P601,
- Zaporozhets: ZAZ-966, ZAZ-968,
- Land Rover Defender (from 1983),
- Lada: Niva 2121, Niva 2131

DIMENSIONS



A.05820

Cat. number	Homologation code	Light functions			Type	H4	Accessories	bulb H4 12V	bulb H4 24V	bulb W5W	bulb gasket	Side	right	left	Application	dedicated	Packaging / pc	carton box
		passing	driving	position														
PES4.48900	070	✓	✓		✓					✓		✓	✓				1	
PES4.48901	070	✓	✓		✓		✓			✓		✓	✓				1	
PES4.48902	070	✓	✓		✓			✓		✓		✓	✓				1	
PES4.48950	070	✓	✓	✓	✓					✓		✓	✓		A		1	
PES4.48951	070	✓	✓	✓	✓		✓			✓		✓	✓				1	
PES4.48952	070	✓	✓	✓	✓			✓		✓		✓	✓				1	