



TECHNICAL DATA / FEATURES

- dimensions: $\phi 178 \times 93$
- light functions: passing, driving, position
- function markings: HC/R, A
- traffic: right-hand
- reference mark: 17.5, 12.5
- source of light: H4, T4W
- maximum power: 75/70W, 4W
- nominal voltage: 12V-24V DC
- optics: standard
- IP rating: IP54
- housing's material: metal
- lens' material: glass
- built-in connectors: -
- other (optional): tuning versions



ADDITIONAL INFORMATION

To be mounted in factory designed locations or in the front bumper recesses.

Headlamps with 035 homologation code have E20 approval, while headlamps with 066 homologation code E8.

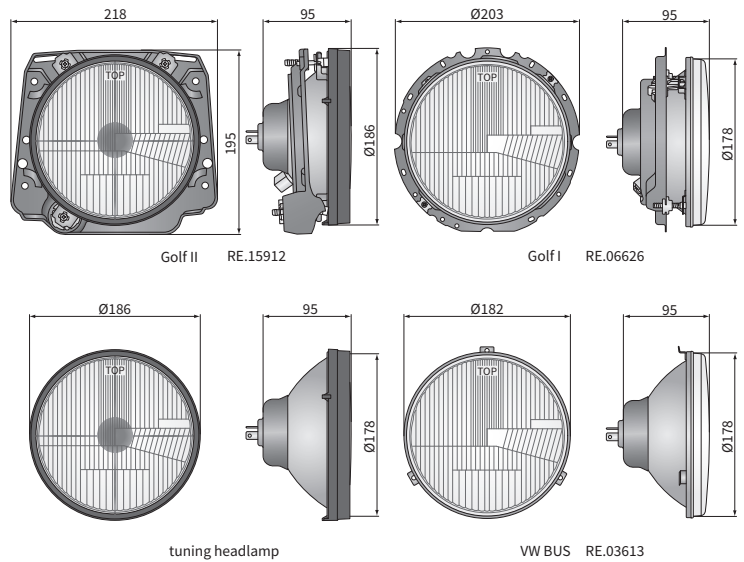
Replacement parts:

- main bulb gasket - cat. No. A.05820
- position light bulb holder - cat. No. A.26900

Dedicated application:

- A - VW Golf I (1974-2009),
VW Golf I tuning (1974-2009)
- B - VW Golf II (1983-1992),
VW Golf II tuning (1983-1992)
- C - VW Bus Transporter 2 T3 (1980-1991),
VW Bus tuning Transporter 2 T3 (1980-1991)

DIMENSIONS



Cat. number	Hella Catal. No.	Homologation code	Light functions			Type	H4	Accessories				Side			Application	Packaging / pc	
			passing	driving	position			bulb gasket	mounting plate	mounting plate-leveling unit	frame	ornamentations	right	left		dedicated	carton box
RE.06626	1A8 003 060-551	035	✓	✓	✓	✓	✓	✓	✓	✓	✓	✓	✓	A	1		
RE.06326		066	✓	✓	✓	✓	✓	✓	✓	✓	✓	✓	✓	A	1		
RE.03512	1A8 004 190-101	035	✓	✓	✓	✓	✓	✓	✓	✓	✓	✓	✓	B	1		
RE.15912		066	✓	✓	✓	✓	✓	✓	✓	✓	✓	✓	✓	B	1		
RE.03613		035	✓	✓	✓	✓	✓	✓	✓	✓	✓	✓	✓	C	1		
RE.16113		066	✓	✓	✓	✓	✓	✓	✓	✓	✓	✓	✓	C	1		