



## TECHNICAL DATA / FEATURES

- dimensions:  $\phi 180 \times 69$
- light functions: driving, parking
- function markings: HR, A
- maximum power: 27W, 3W
- nominal voltage: 12V-24V DC
- permissible power supply voltage: 10.5V-30V DC
- reference mark: 25
- source of light: 6 x LED
- IP rating: IP67, IP69K
- work temperature:  $-40^{\circ}\text{C} - +80^{\circ}\text{C}$
- housing's material: aluminium
- lens' material: glass
- built-in connectors: -
- other: protection:
  - against overheating
  - against reverse polarisation
- screws made of Inox steel



## ADDITIONAL INFORMATION

Stylish and robust lamps dedicated for trucks. LED technology used in driving and position light guarantees the highest efficiency.

The lamps comply with EMC Directive 2004/108/EC. They do not emit electromagnetic interference as well as they are resistant to it's influence. Correct polarity required.

Mounting: as a freestanding or on vertical body work panels.

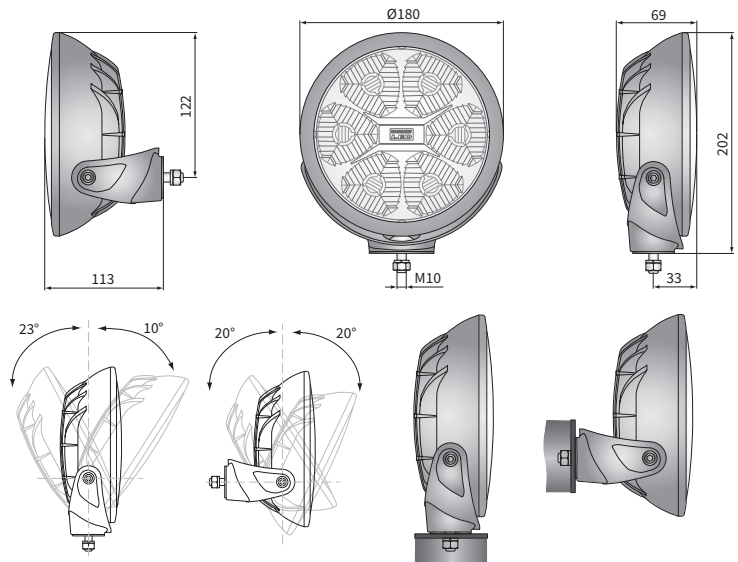
It is possible to install needed connectors on wire (on request).

Equivalents for Hella:

LUM2.51200 - 1F3 011 815-001

LUM2.51210 - 1F3 011 815-011

## DIMENSIONS



Cat. number	Homologation code	Light functions		IP rating	IP67	IP69K	Accessories					Connectors	AMP Faston 250	Deutsch DT	AMP SuperSeal 1,5
		driving	parking				LED module 12V-24V	light cover	chrome-plated frame	black frame	red frame				
LUM2.51200	086	✓	✓	✓	✓	✓	✓	✓	✓	✓	✓				
LUM2.51210	086	✓	✓	✓	✓	✓	✓	✓	✓	✓	✓				
LUM2.51203	086	✓	✓	✓	✓	✓	✓	✓	✓	✓	✓				

