

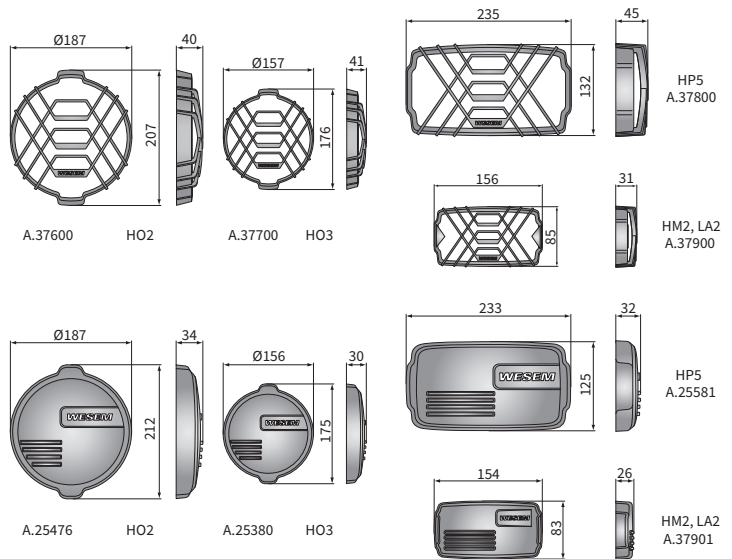


ADDITIONAL INFORMATION

Lamp covers and grills protect from accidental damage, extend durability and emphasize styling.

Mounting snaps help with easy installation and removal.

DIMENSIONS



Cat. number	Application	dedicated	Type		Shape		Packaging / pc			
			cover	stone guard	rectangular	round	plastic bag	plastic bag	carton box	
A.37901	HM2/LA2 lamp cover		✓					1		
A.25581	HP5 lamp cover		✓						1	
A.25380	HO3 lamp cover		✓						1	
A.25476	HO2 lamp cover		✓				✓		1	
A.37900	HM2/LA2 lamp grill			✓		✓		1		
A.37800	HP5 lamp grill			✓		✓			1	
A.37700	HO3 lamp grill			✓			✓		1	
A.37600	HO2 lamp grill			✓			✓		1	
A.08934	HP1 lamp grill			✓		✓		1		
A.25370	LUM2 lamp cover		✓				✓	1		
A.25360	LUM1 lamp cover		✓				✓	1		

