

TECHNICAL DATA / FEATURES

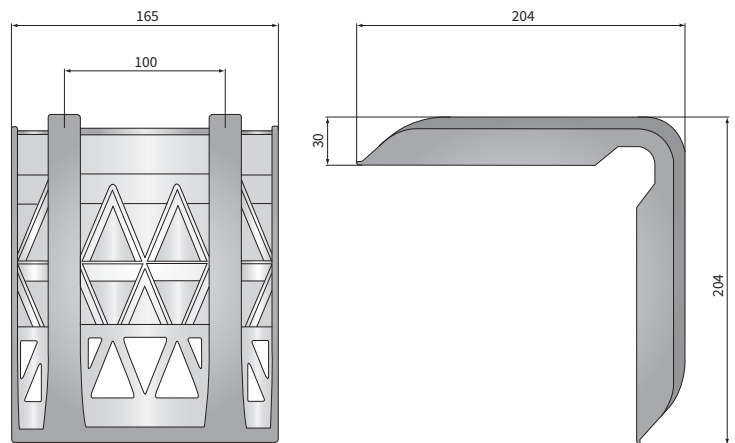
- dimensions: 204x204
- housing's material: plastic
- housing's colour: black
- work temperature: -20°C - +50°C
- other: multiple usage product
designed for strap width up to 75 mm



ADDITIONAL INFORMATION

They protect cargo edges.
 Due to the large contact area, they allow to use larger force of the belt tension.
 They prevent the straps from slipping off.
 They secure cargo straps.

DIMENSIONS



Cat. number	Packaging / pc	
	carton box	
N50.45800	10	